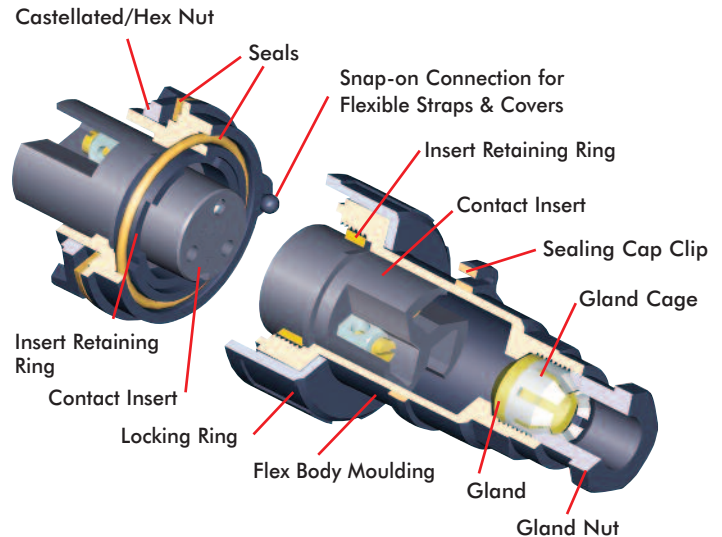


IP68

## Standard Buccaneer®

BUCCANEER



- IP68 rating tested at 1.054kg/sq cm (15lb/sq in) 10m depth for 2 weeks and 9.84kg/sq cm (140lb/sq in) 100m depth for 12 hours
- Water and dustproof to IP68 when mated
- 2, 3, 4, 6, 7, 9, 12 and 25 pole
- 10A, 250V a.c./d.c. 2 pole screw terminal, 3 pole screw terminal and crimp contacts
- 6A, 250V a.c./d.c. 4 pole screw terminal
- 3A, 250V a.c./d.c. 6 and 7 pole screw terminal
- 5A, 150V a.c./d.c. 9 pole crimp contacts
- 5A, 50V a.c./d.c. 12 pole crimp and solder contacts
- 1A, 50V a.c./d.c. 25 pole crimp and solder contacts
- BNC versions 50Ω and 75Ω
- Plug or socket connection in each body style
- Compact design
- Diameter over coupling ring 38mm
- Sealing caps available to maintain IP68 rating of unmated connectors
- 7 body styles - flex cable, in-line flex cable, panel mount (front), panel mount (rear), PCB mount, bulkhead and flange mount
- Leading earth contact for 3 pole socket version
- Positive locating keyways - cannot be mis-connected
- Easy assembly - no special tools required on screw terminal versions
- Cable range from 3.5mm - 9mm
- Colour coded identification variants
- UL, CSA and VDE approvals

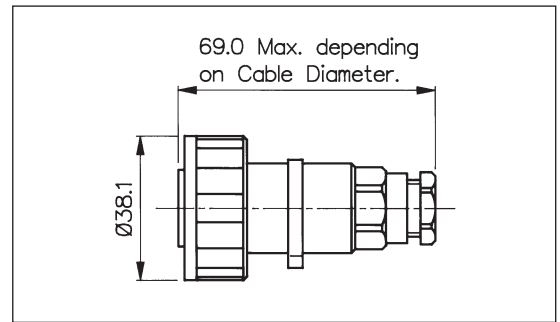
**Standard Buccaneer®**

**FLEX CABLE CONNECTOR**



**PX0731/P**

- Mates with In-Line Flex or Panel Mounting Versions
- Screw Locking Ring
- Pin or Socket Versions
- Leading Earth on 3 pole connectors
- Poles 2, 3, 4, 6, 7, 9, 12, 25 or BNC
- Standard Cable Acceptance (2 to 9 pole) 6-8mm, 3.5-9mm with alternative glands



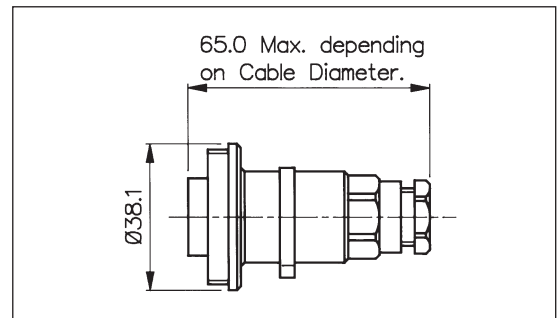
Poles	Termination	Pin Contacts	Socket Contacts	Contacts
2	Screw	PX0736/P	PX0736/S	Supplied Fitted
3	Screw	PX0731/P	PX0731/S	Supplied Fitted
3	Crimp	PX0776/P	PX0776/S	Supplied Loose
4	Screw	PX0748/P	PX0748/S	Supplied Fitted
6	Screw	PX0739/P	PX0739/S	Supplied Fitted
7	Screw	PX0745/P	PX0745/S	Supplied Fitted
9	Crimp	PX0728/P	PX0728/S	Supplied Loose
12	Crimp/Solder	PX0794/P	PX0794/S	Order Separately
25	Crimp/Solder	PX0820/P	PX0820/S	Order Separately
50ΩBNC	Crimp	PX0742/P/50OHM		Supplied Loose
75ΩBNC	Crimp	PX0742/P/75OHM		Supplied Loose

**IN-LINE FLEX CABLE CONNECTOR**



**PX0732/S**

- Mates with Flex Cable Connector
- Pin or Socket Versions
- Leading Earth on 3 pole connectors
- Poles 2, 3, 4, 6, 7, 9, 12, 25 or BNC
- Standard Cable Acceptance (2 to 9 pole) 6-8mm, 3.5-9mm with alternative glands



Poles	Termination	Pin Contacts	Socket Contacts	Contacts
2	Screw	PX0737/P	PX0737/S	Supplied Fitted
3	Screw	PX0732/P	PX0732/S	Supplied Fitted
3	Crimp	PX0778/P	PX0778/S	Supplied Loose
4	Screw	PX0749/P	PX0749/S	Supplied Fitted
6	Screw	PX0740/P	PX0740/S	Supplied Fitted
7	Screw	PX0746/P	PX0746/S	Supplied Fitted
9	Crimp	PX0729/P	PX0729/S	Supplied Loose
12	Crimp/Solder	PX0795/P	PX0795/S	Order Separately
25	Crimp/Solder	PX0821/P	PX0821/S	Order Separately
50ΩBNC	Crimp		PX0743/S/50OHM	Supplied Loose
75ΩBNC	Crimp		PX0743/S/75OHM	Supplied Loose

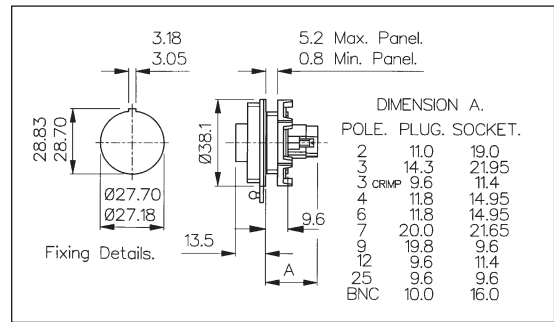
BUCCANEER

Standard Buccaneer®

FRONT PANEL MOUNTING CONNECTOR



- Mates with Flex Cable Connector
- Front panel mounting
- Single Hole Fixing
- Pin or Socket Versions
- Poles 2, 3, 4, 6, 7, 9, 12, 25 or BNC

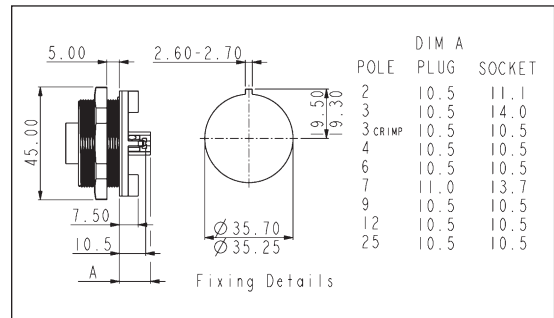


Poles	Termination	Pin Contacts	Socket Contacts	Contacts
2	Screw	PX0735/P	PX0735/S	Supplied Fitted
3	Screw	PX0730/P	PX0730/S	Supplied Fitted
3	Crimp	PX0779/P	PX0779/S	Supplied Loose
4	Screw	PX0747/P	PX0747/S	Supplied Fitted
6	Screw	PX0738/P	PX0738/S	Supplied Fitted
7	Screw	PX0744/P	PX0744/S	Supplied Fitted
9	Crimp	PX0727/P	PX0727/S	Supplied Loose
12	Crimp/Solder	PX0796/P	PX0796/S	Order Separately
25	Crimp/Solder	PX0822/P	PX0822/S	Order Separately
50ΩBNC	Crimp		PX0741/S/50OHM	Supplied Loose
75ΩBNC	Crimp		PX0741/S/75OHM	Supplied Loose

REAR PANEL MOUNTING CONNECTOR



- Mates with Flex Cable Connector
- Rear panel mounting
- Single Hole Fixing
- Pin or Socket Versions
- Poles 2, 3, 4, 6, 7, 9, 12 or 25



Poles	Termination	Pin Contacts	Socket Contacts	Contacts
2	Screw	PX0709/P/02	PX0709/S/02	Supplied Fitted
3	Screw	PX0709/P/03	PX0709/S/03	Supplied Fitted
3	Crimp	PX0708/P/03	PX0708/S/03	Supplied Loose
4	Screw	PX0709/P/04	PX0709/S/04	Supplied Fitted
6	Screw	PX0709/P/06	PX0709/S/06	Supplied Fitted
7	Screw	PX0709/P/07	PX0709/S/07	Supplied Fitted
9	Crimp	PX0708/P/09	PX0708/S/09	Supplied Loose
12	Crimp/Solder	PX0708/P/12	PX0708/S/12	Order Separately
25	Crimp/Solder	PX0708/P/25	PX0708/S/25	Order Separately

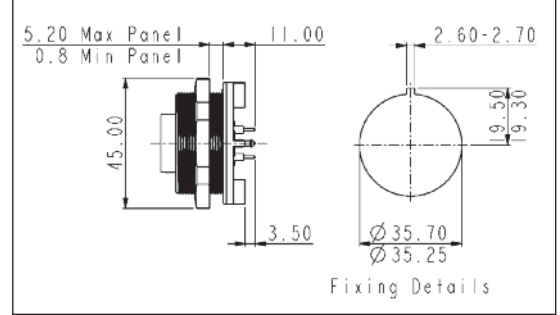
Standard Buccaneer®

PCB MOUNTING CONNECTOR



PX0707/P/12

- Mates with Flex Cable connector
- Rear panel mounting
- No. poles: 3, 6, 9, 12 or 25
- Pin or socket versions
- Pre-loaded Gold Plated contacts



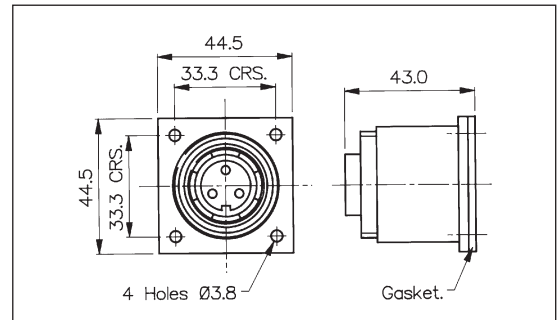
Poles	Termination	Pin Contacts	Socket Contacts	Contacts
3	PCB	PX0707/P/03	PX0707/S/03	Supplied Fitted
4	PCB	PX0707/P/04	PX0707/S/04	Supplied Fitted
6	PCB	PX0707/P/06	PX0707/S/06	Supplied Fitted
9	PCB	PX0707/P/09	PX0707/S/09	Supplied Fitted
12	PCB	PX0707/P/12	PX0707/S/12	Supplied Fitted
25	PCB	PX0707/P/25	PX0707/S/25	Supplied Fitted

BULKHEAD FLANGE MOUNTING CONNECTOR



PX0756/S

- Mates with Flex Cable Connector
- Screw Fixing Flange
- Pin or Socket Versions
- Poles 2, 3, 4, 6, 7, 9, 12, 25 or BNC
- Supplied with sealing gasket and screw sealing grommets



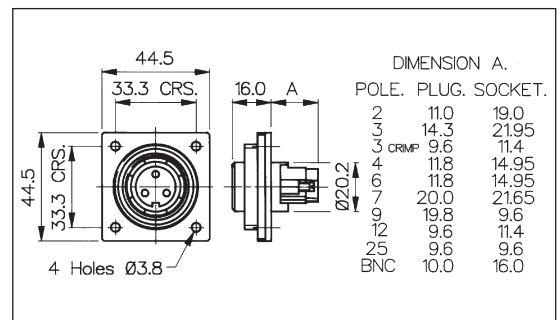
Poles	Termination	Pin Contacts	Socket Contacts	Contacts
2	Screw	PX0757/P	PX0757/S	Supplied Fitted
3	Screw	PX0756/P	PX0756/S	Supplied Fitted
3	Crimp	PX0787/P	PX0787/S	Supplied Loose
4	Screw	PX0761/P	PX0761/S	Supplied Fitted
6	Screw	PX0758/P	PX0758/S	Supplied Fitted
7	Screw	PX0760/P	PX0760/S	Supplied Fitted
9	Crimp	PX0762/P	PX0762/S	Supplied Loose
12	Crimp/Solder	PX0798/P	PX0798/S	Order Separately
25	Crimp/Solder	PX0823/P	PX0823/S	Order Separately
50ΩBNC	Crimp		PX0759/S/50OHM	Supplied Loose
75ΩBNC	Crimp		PX0759/S/75OHM	Supplied Loose

LOW PROFILE FLANGE MOUNTING CONNECTOR



PX0765/S

- Screw Flange Fixing
- Pin or Socket Versions
- Poles 2, 3, 4, 6, 7, 9, 12, 25 or BNC
- Mates with Flex Cable Connector
- Supplied with sealing gasket and screw sealing grommets



Poles	Termination	Pin Contacts	Socket Contacts	Contacts
2	Screw	PX0764/P	PX0764/S	Supplied Fitted
3	Screw	PX0765/P	PX0765/S	Supplied Fitted
3	Crimp	PX0781/P	PX0781/S	Supplied Loose
4	Screw	PX0766/P	PX0766/S	Supplied Fitted
6	Screw	PX0767/P	PX0767/S	Supplied Fitted
7	Screw	PX0768/P	PX0768/S	Supplied Fitted
9	Crimp	PX0769/P	PX0769/S	Supplied Loose
12	Crimp/Solder	PX0797/P	PX0797/S	Order Separately
25	Crimp/Solder	PX0824/P	PX0824/S	Order Separately
50ΩBNC	Crimp		PX0763/S/50OHM	Supplied Loose
75ΩBNC	Crimp		PX0763/S/75OHM	Supplied Loose

BUCCANEER



Standard Buccaneer®

BUCCANEER

COLOURED CONTACT INSERTS



Coloured Inserts

- With or without matching gland nut
- Positive visual identification
- Available in; Black, Blue, Green, Grey, Light Grey, Red, White and Yellow

Contact Inserts Colour Options

Part No Suffix	Colour
Blank	Black
BL	Blue
GN	Green
GY	Grey
LG	Light Grey
RD	Red
WH	White
YL	Yellow

Insert/Gland Nut Combinations

1	Insert and Gland Nut Coloured
2	Insert Only Coloured

e. g. PX0731/P/YL1 = Yellow insert and gland nut

CONTACTS FOR 12 AND 25 POLE INSERTS



12 & 25 way contacts

- Crimp or Solder Pins and Sockets
- Gold Plated
- Current ratings:  
12 way: 5A, 50V  
25 way: 1A, 50V

Contacts - Solder & Crimp for 12 and 25 pole

Contacts (for 25 pole) (Supplied in packs of 10)	Solder	Crimp
Pins	SA3180/1	SA3180
Sockets	SA3179/1	SA3179

Contacts (for 12 pole) (Supplied in packs of 10)	Solder	Crimp
Pins	SA3348/1	SA3348
Sockets	SA3347/1	SA3347

ASSEMBLY TOOLS



PNo 13027 and 13170

- Crimp Tools for 3, 9, 12 and 25 pole crimp contacts
- Insertion/Extraction Tool for 25 pole contacts

Tools	
Crimp Tool (25 pole)	PNo. 13170
Crimp Tool (12 pole)	PNo. 14025
Positioner (12 pole)	PNo. 14025/5AMP
Crimp Tool (9 pole)	PNo. 13826
Crimp Tool (3 pole)	PNo. 14232
3 pole positioner	PNo. 14232/1
Insertion/Extraction Tool (25 pole)	PNo. 13027
Insertion/Extraction Tool (12 pole)	PNo. 13027/1
Hex Cavities for BNC Inserts	
Centre Contact:	1.69 A/F (B.S. 'W'/ERMA XA)
Braid:	6.48 A/F (B.S. 'E'/ERMA XH)

CABLE GLANDS



SA3253

- Pack of alternative cable glands to suit cables from 3.5 to 9mm dia.

Cable Acceptance - Alternatives

Cable Diameter	Gland Part No.	Gland Colour	Additional Suffix
6-8mm	12023	Black	Standard for 2-12 pole
3.5-5mm	SA3426	Grey	Suffix /04†
5-7mm	12023/1	White	Suffix /05
7-9mm	12023/2	Yellow	Suffix /07*
Gland Pack	SA3253	Pack of 3 glands to suit cables 3.5-5mm, 5-7mm & 7-9mm dia†	

\*Note: 7-9mm gland standard for 25 way, no suffix required.  
†Includes additional black gland cage for 3.5-5mm dia. cable range.

To order connector with alternative cable gland add suffix to part no. e.g. PX0731/P/07 = PX0731 3 pin connector with cable gland to suit 7-9mm dia. cable.

Cable Acceptance - Standard as supplied

No. Contacts	Cable Diameter or Type
2-12 Pole	6-8mm
25 Pole	7-9mm
BNC 50Ω	RG 58/CU, URM43, URM76
BNC 75Ω	URM70

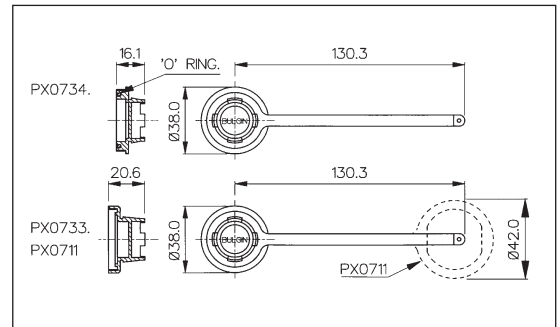
Standard Buccaneer®

SEALING CAP/ASSEMBLY TOOL



PX0734 PX0733

- Maintains IP68 Rating of Unmated Connectors
- Can be used to remove Inserts
- PX0734 for Flex Cable Connector
- PX0733 for In-line Flex, Front Panel, Bulkhead and Flange mount connectors
- PX0711 for PCB and Rear Panel Mount connectors

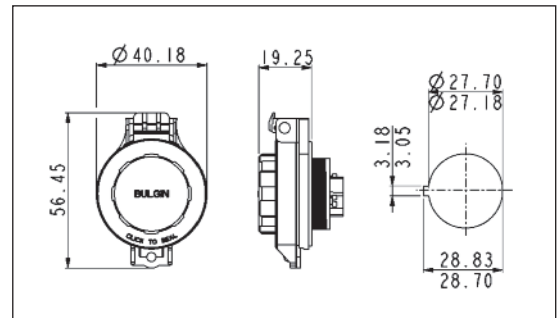


SPRUNG LOADED SEALING CAP



PX0713

- IP54 rated
- Sprung loaded
- Clip shut to seal
- For use with front of panel mounting connector types

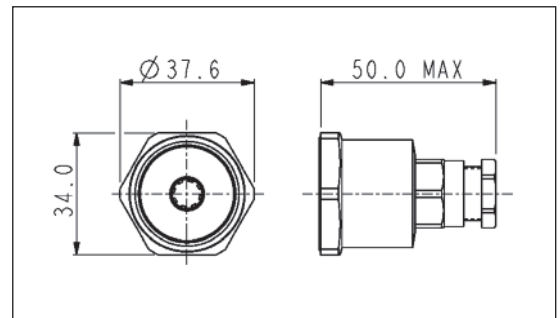


REAR OF PANEL BACKSHELL



PX0799

- Provides environmental seal to rear of panel
- Standard cable acceptance 6-8mm, 3.5 to 9mm with alternative glands
- For use on front panel mounting connectors

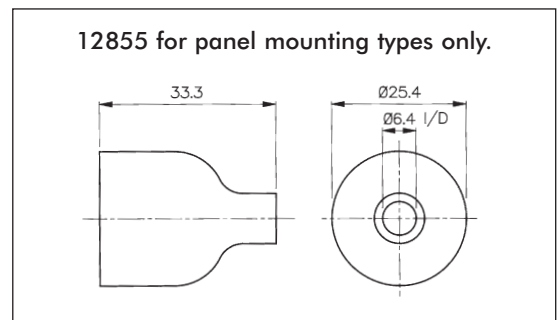


PVC INSULATION BOOT



PNo. 12855

- Protects Rear of the Connector
- Flammability Rating UL94V-0
- Fits Front Panel Mount Versions only

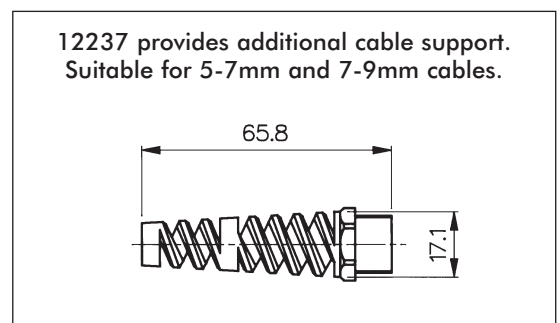


CABLE SUPPORT ACCESSORY



PNo. 12237

- Gives Extra Support to the Cable
- Suitable for 5-7mm and 7-9mm Cable Diameters

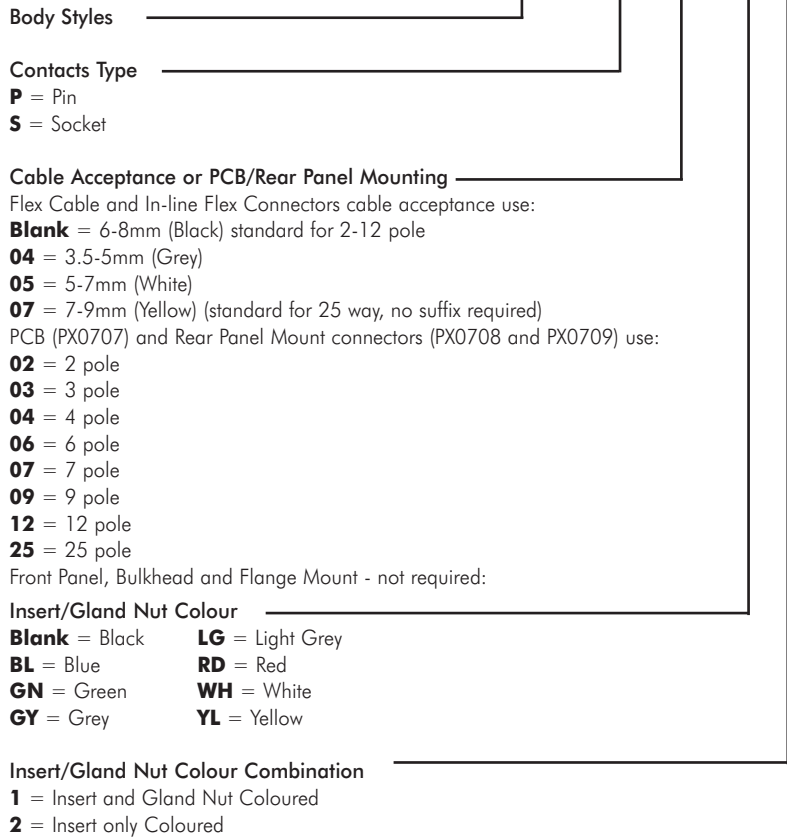


BUCCANEER

**Standard Buccaneer®**

**PART NO SYSTEM**

**PX0xxx / x / xx / xx x**




**Examples:**

- PX0707/P/06 = PCB Panel connector, pin contacts, 6 pole
- PX0731/S = Flex Cable connector, socket contacts, 3 pole
- PX0732/P/07/BL2 = In-Line Flex Cable connector, pin contacts, 3 pole, 7-9mm cable acceptance, blue insert

**SPECIFICATION**

**Electrical:**

No. Poles:	2, 3 4 6, 7 9 12 25
Current Rating:	10A 6A 3A 5A 5A 1A
Voltage Rating (ac/dc):	250V 250V 250V 150V 50V 50V
Contact Resistance:	<10mΩ (2-9 Pole) <5mΩ (12 Pole) <5mΩ (25 Pole)
Insulation Resistance:	>10 <sup>4</sup> MΩ @ 500V d.c. (2-9 Pole)
AC Breakdown voltage:	4kV Pole - Pole (2-9 Pole) 6kV Poles - Panel (Low Profile Flange and Panel Types – 2-9 Pole) 7.5kV Poles - Panel (Other Types – 2-9 Pole)
Operating Temp. Range:	-20°C to +70°C
Approvals:	 Approvals pending: 3 way crimp, 12 way, PX0707 & PX0709

**Material:**

Body Mouldings:	Glass Filled Polyamide UL94HB
Inserts (2-25 pole):	Polyamide UL94V-0
Contacts:	
Screw Terminal:	Brass, Nickel Plated
Crimp (9 pole):	Copper Alloy, Tin Plated
Crimp/Solder (12 + 25 Pole):	Copper Alloy, Gold Plated (0.1µm on Nickel)
BNC inserts:	Brass, Nickel Plated
BNC contacts:	Brass, Silver Plated
	Compliant

**RoHS**

**Mechanical:**

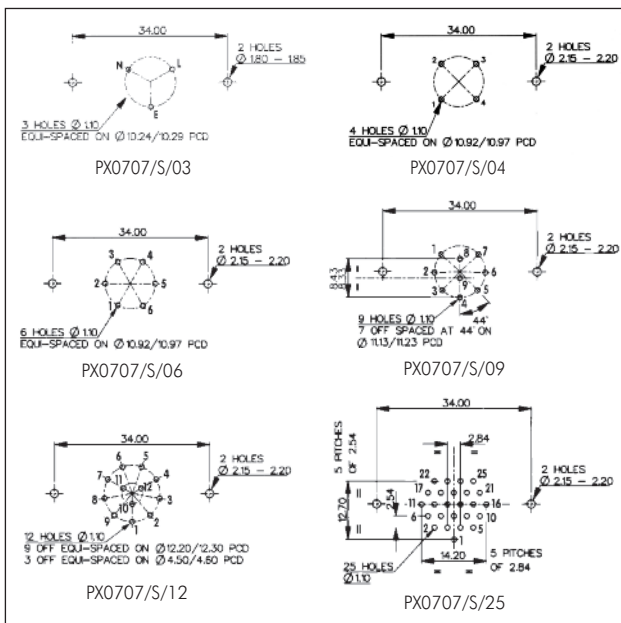
Sealing:	IP68, BS 5490 : 1977 Tested @ 1.054kg/sq.cm. (15lb/sq.in.) 10m depth for 2 weeks. BSEN 60529 : 1992 Tested @ 9.84kg/sq.cm. (140lb/sq.in.) 100m depth for 12 hours.
Cable Acceptance:	
2-12 Pole - standard gland:	6-8mm dia
2-12 Pole - alternative glands:	3.5-9mm dia
25 Pole - standard gland:	7-9mm dim
25 Pole - alternative glands:	3.5-7mm dim
BNC 50Ω:	RG 58/CU, URM43 & URM76
BNC 75Ω:	URM70
Contact Accommodation:	
2 and 3 pole screw terminals:	4mm <sup>2</sup> (12AWG) max
3 pole crimp:	
4, 6 and 7 pole:	1.5mm <sup>2</sup> (16AWG) max
9 pole:	0.12-0.21mm <sup>2</sup> (24-26AWG)
12 pole:	0.32mm <sup>2</sup> (22-26AWG) max
25 pole:	0.12-0.21mm <sup>2</sup> (24-26AWG)
Terminations:	
2-7 Pole:	Screw Terminals
3 Pole:	Screw Terminals & Crimp
9 Pole:	Crimp Contacts
12 Pole:	Crimp & Solder Contacts
25 Pole:	Crimp & Solder Contacts
Tightening Torques:	
Flex Mounting/In-Line:	Gland Nut; 1.13Nm (10lbf.in.)
Panel Mounting:	Rear Fixing Nut; 1.7Nm (15lbf.in.)
Surface/Bulkhead and Low Profile Flange Mounting:	4 Fixing Screws (using washers supplied) 0.34Nm (3lbf.in.)
Sealings Caps/Locking Ring:	1.13Nm (10lbf.in.)

BUCCANEER

**PCB LAYOUTS**

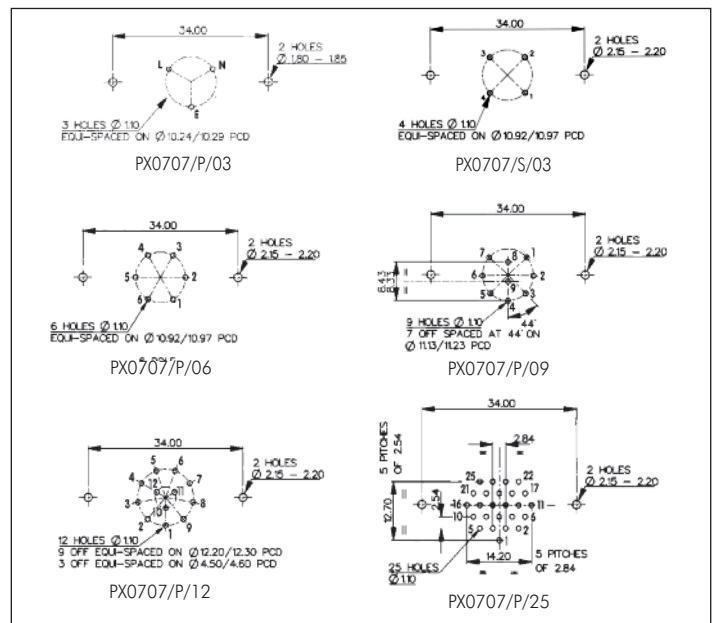
**Sockets**

Contact Nos viewed from rear of panel



**Pins**

Contact Nos viewed from rear of panel



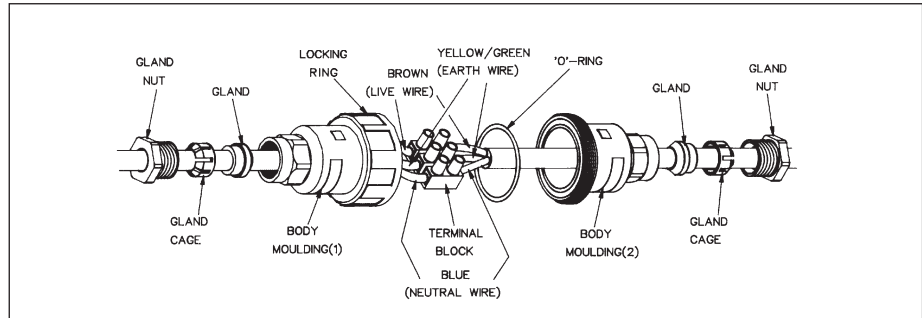
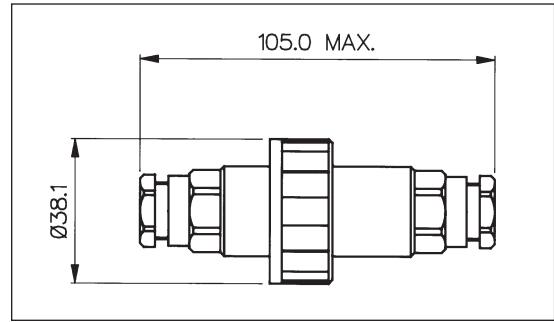


Sealed In-Line Cable Joiner

CABLE JOINER



- IP68 Rating
- For Sealed In-Line Connections
- Standard Cable Acceptance 6-8mm
- Cable Range 3.5-9mm (using alternative glands)
- Supplied with 3 way Terminal Block
- Available Moulded in Black or Orange



Specification	PX0777
Rating:	16A, 250V a.c.
Wire Termination:	3 way Terminal Block (2.5mm <sup>2</sup> -14 AWG max)
Cable Acceptance:	6-8mm dia alternative glands available on request
Material:	Glass Filled Polyamide UL94HB
Sealing:	IP68 to BSEN 60529 : 1992 1.054kg/sq.cm. (15lbs/sq.in.) 10m depth for 2 weeks
Operating Temp. Range:	-20°C to +70°C
Colour:	Black Orange (Add /OR to PNo.)
BNC Cable Types:	50 ohm – RG58/CU, URM43 & URM76 For BNC version of PX0777 add /50OHM to PNo.
Approvals:	Ⓢ (Standard part no. only)
<b>RoHS</b>	Compliant